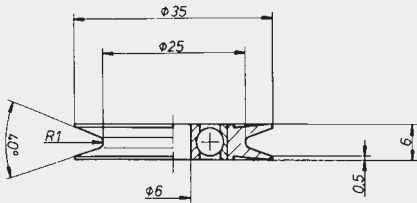


**Stahlrollen Steel Pulleys - RS** Alle Stahlrollen können auch in gehärteter Ausführung geliefert werden.  
All steel pulleys are also available as hardened execution.

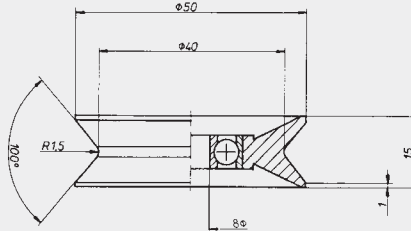
**Edelstahlrollen Stainless Steel Pulleys - RE**

**Aluminiumrollen Aluminium Pulleys - RA** Alle Aluminiumrollen sind auch in keramikbeschichteter Ausführung lieferbar.  
All aluminium pulleys are also available as ceramic coated execution.

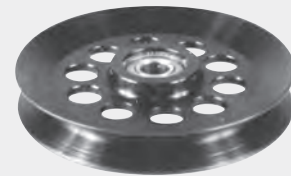
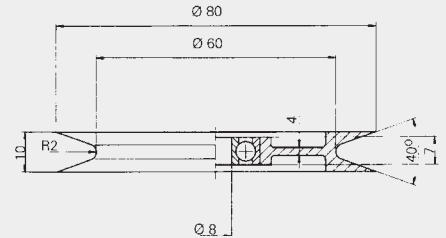
RS (RA) 35-V



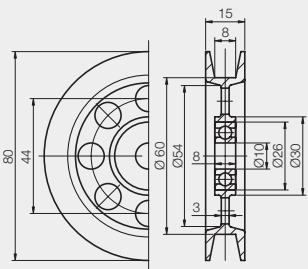
RS (RA) 50-V



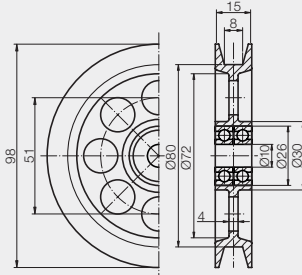
RS (RA) 80-V



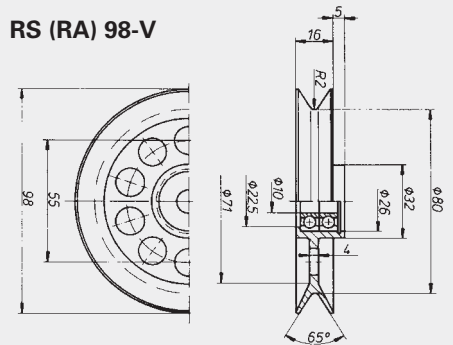
RE 80-F8



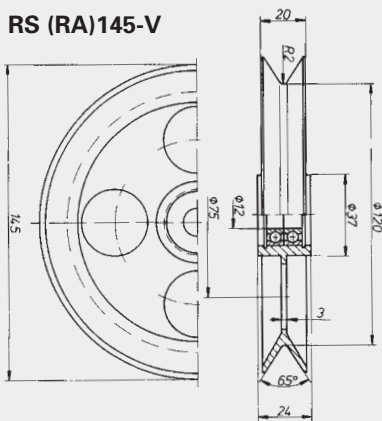
RE 98-F8



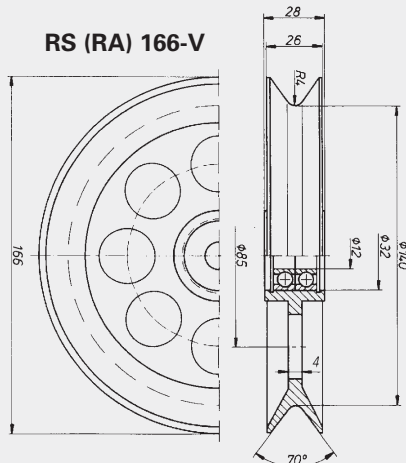
RS (RA) 98-V



RS (RA) 145-V



RS (RA) 166-V



RS (RA) 280-V

